

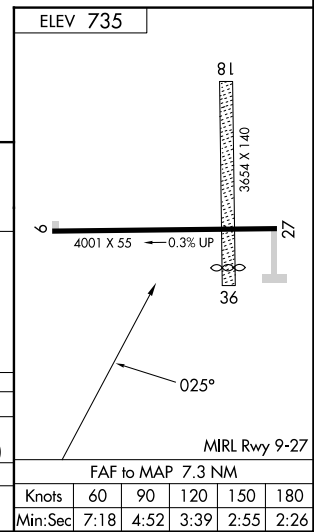
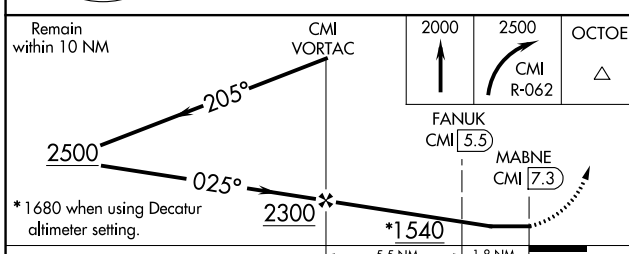
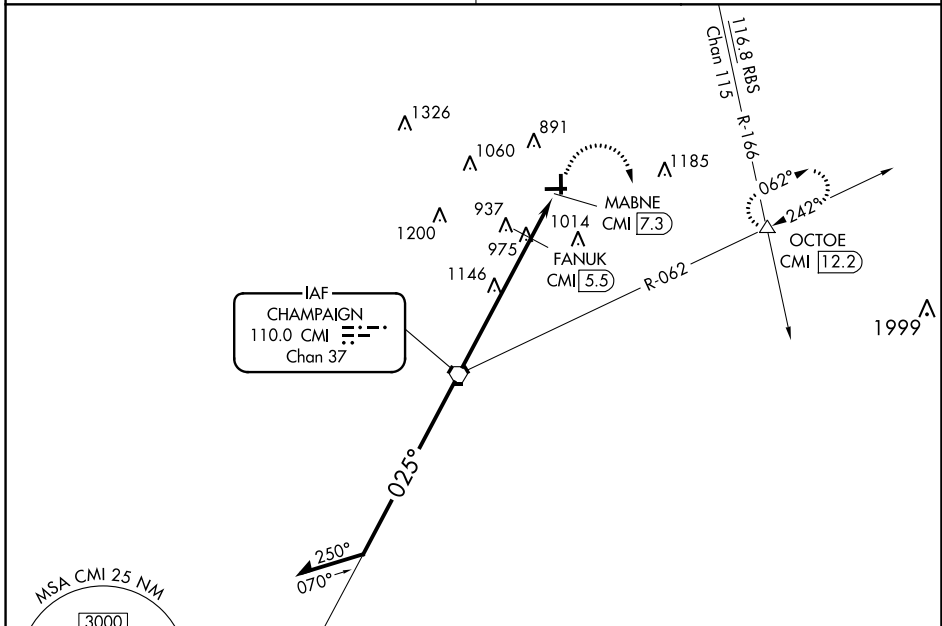
VORTAC CMI 110.0 Chan 37	APP CRS 025°	Rwy Idg TDZE Apt Elev N/A N/A 735
--	------------------------	---

VOR-A
FRASCA FLD (C16)

NA Circling NA to Rwy's 18 and 36. Use Champaign altimeter setting; when not received, use Decatur altimeter setting and increase all MDAs 80 feet and Cats A/B/D visibilities ¼ SM, Cat C visibility ½ SM; increase FANUK DME fix minimums Cats C/D visibility ½ SM.

MISSED APPROACH: Climb to 2000 then climbing right turn to 2500 on CMI VORTAC R-062 to OCTOE INT and hold.

CHAMPAIGN APP CON ★ 121.35 285.65	UNICOM 122.8 (CTAF)
---	-------------------------------



CATEGORY	A	B	C	D
C CIRCLING	1540-1 805 (900-1)	1540-1¼ 805 (900-1¼)	1540-2¼ 805 (900-2¼)	1560-2¾ 825 (900-2¾)
FANUK DME FIX MINIMUMS				
C CIRCLING	1300-1	565 (600-1)	1420-2 685 (700-2)	1560-2¾ 825 (900-2¾)