

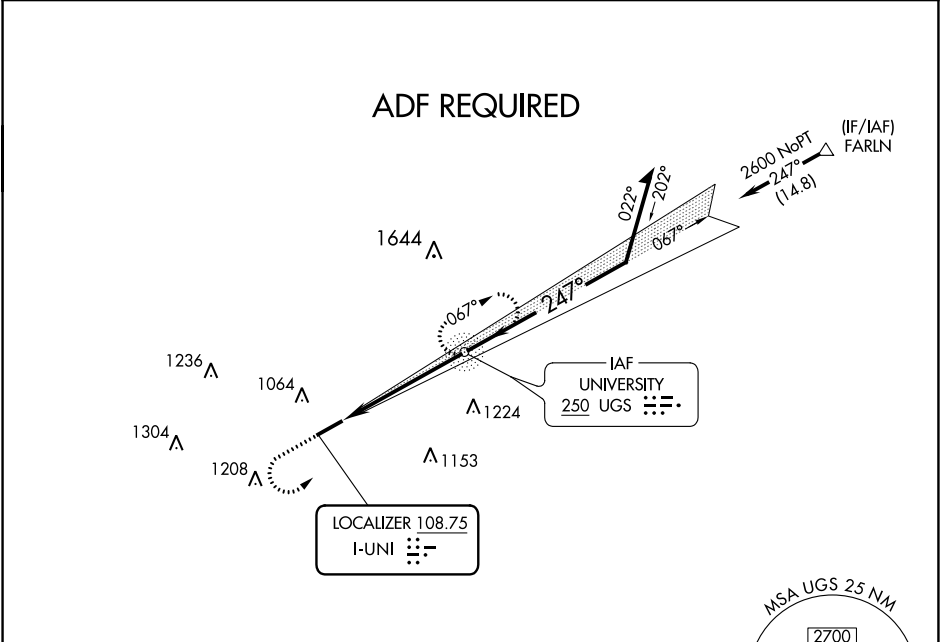
LOC I-UNI 108.75	APP CRS 247°	Rwy ldg TDZE Apt Elev	5600 765 766
----------------------------	------------------------	-----------------------------	---

ILS or LOC RWY 25

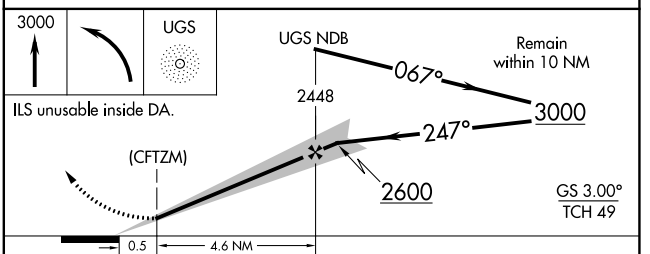
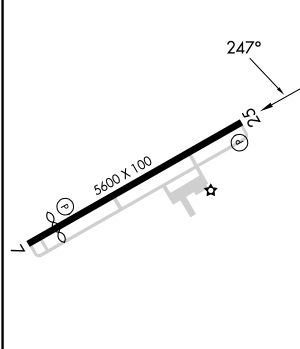
OHIO UNIVERSITY (UNI)

<p>▽ ADF required.</p> <p>△ NA</p>	<p>MISSED APPROACH: Climb to 3000 then left turn direct UGS NDB and hold.</p>
--	---

AWOS-3 128.325	HUNTINGTON APP CON 120.95 270.1	CLNC DEL 120.95	UNICOM 123.075 (CTAF) 0
--------------------------	---	---------------------------	--



ELEV 766	TDZE 765
----------	----------



MIRL Rwy 7-25 **0**

REIL Rwys 7 and 25 **0**

FAF to MAP 4.6 NM

Knots	60	90	120	150	180
Min:Sec	4:36	3:04	2:18	1:50	1:32

CATEGORY	A	B	C	D
S-ILS 25	974-1 209 (300-1)			
S-LOC 25	1420-1	655 (700-1)	1420-1 $\frac{7}{8}$	655 (700-1 $\frac{7}{8}$)
C CIRCLING	1420-1	654 (700-1)	1420-1 $\frac{7}{8}$ 654 (700-1 $\frac{7}{8}$)	1480-2 $\frac{1}{4}$ 714 (800-2 $\frac{1}{4}$)

EC-2, 22 FEB 2024 to 21 MAR 2024

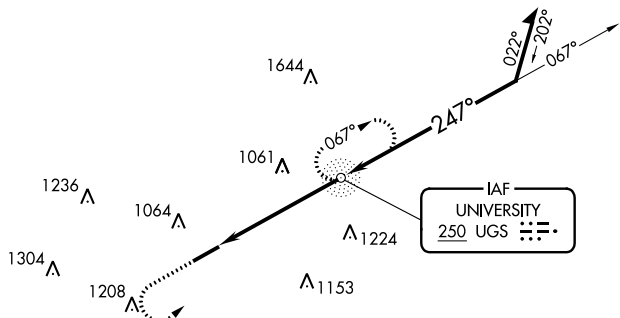
EC-2, 22 FEB 2024 to 21 MAR 2024

NDB UGS	APP CRS	Rwy Idg	5600
250	247°	TDZE	765
		Apt Elev	766

NDB RWY 25

OHIO UNIVERSITY (UNI)

RADAR required for procedure entry.		MISSED APPROACH: Climb to 3000 then left turn direct UGS NDB and hold.	
AWOS-3	HUNTINGTON APP CON	CLNC DEL	UNICOM
128.325	120.95 270.1	120.95	123.075 (CTAF) 0



EC-2, 22 FEB 2024 to 21 MAR 2024

EC-2, 22 FEB 2024 to 21 MAR 2024

ELEV 766	TDZE 765
----------	----------

MIRL Rwy 7-25 0
REIL Rwys 7 and 25 0

FAF to MAP 5.1 NM					
Knots	60	90	120	150	180
Min:Sec	5:06	3:24	2:33	2:02	1:42

CATEGORY	A	B	C	D
S-25	1380-1	615 (700-1)	1380-1¼	615 (700-1¼)
<input checked="" type="checkbox"/> CIRCLING	1380-1	1420-1	1420-1¾	1480-2¼
	614 (700-1)	654 (700-1)	654 (700-1¾)	714 (800-2¼)

WAAS CH 90316 W25A	APP CRS 247°	Rwy ldg 5600 TDZE 765 Apt Elev 766
---------------------------------	------------------------	---

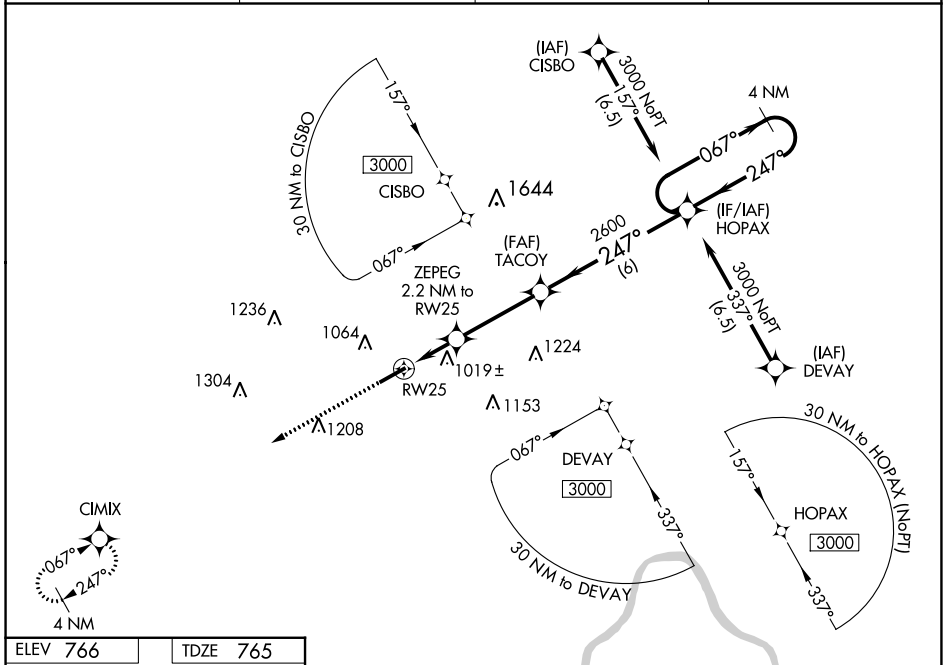
RNAV (GPS) RWY 25

OHIO UNIVERSITY (UNI)

⚠ For uncompensated Baro-VNAV systems, LNAV/VNAV NA below -16°C (4°F) or above 54°C (130°F). DME/DME RNP-0.3 NA.

MISSED APPROACH:
Climb to 3000 direct CIMIX and hold.

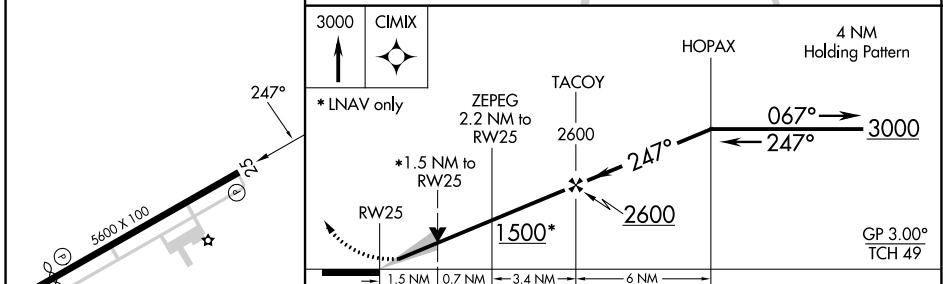
AWOS-3 128.325	HUNTINGTON APP CON 120.95 270.1	CLNC DEL 120.95	UNICOM 123.075 (CTAF) 0
--------------------------	---	---------------------------	-----------------------------------



EC-2, 22 FEB 2024 to 21 MAR 2024

EC-2, 22 FEB 2024 to 21 MAR 2024

ELEV 766	TDZE 765
----------	----------



CATEGORY	A	B	C	D
LPV DA		965-3/4	200 (200-3/4)	
LNAV/VNAV DA		1356-2	591 (600-2)	
LNAV MDA	1280-1	515 (600-1)	1280-1 3/8	515 (600-1 3/8)
C CIRCLING	1380-1	614 (700-1)	1420-1 3/4 654 (700-1 3/4)	1480-2 1/4 714 (800-2 1/4)

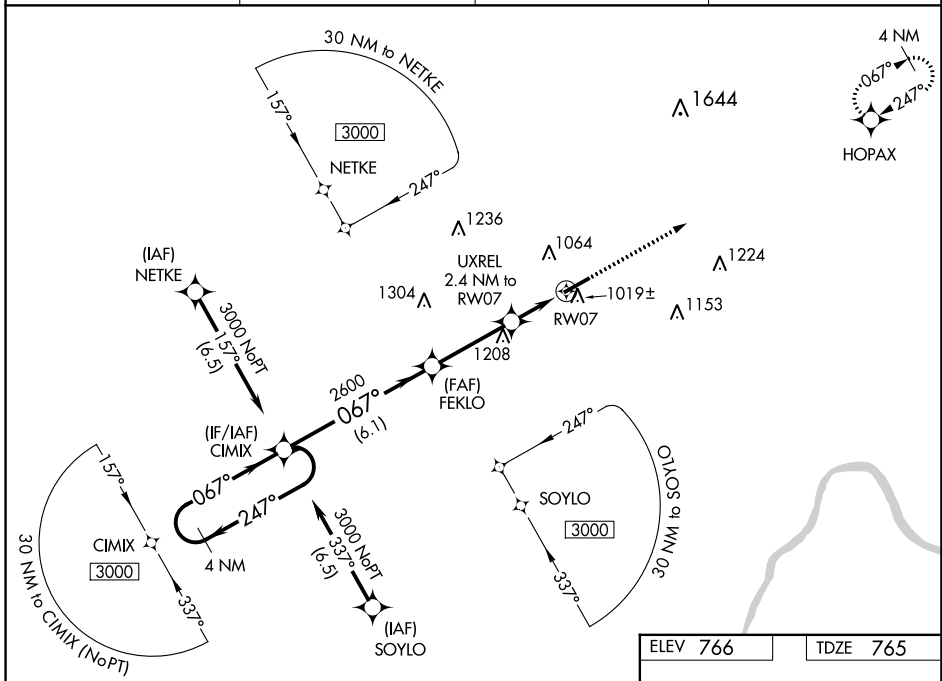
MIRL Rwy 7-25 0
REL Rws 7 and 25 0

WAAS CH 81916 W07A	APP CRS 067°	Rwy ldg 4700 TDZE 765 Apt Elev 766
--	------------------------	---

RNAV (GPS) RWY 7

OHIO UNIVERSITY (UNI)

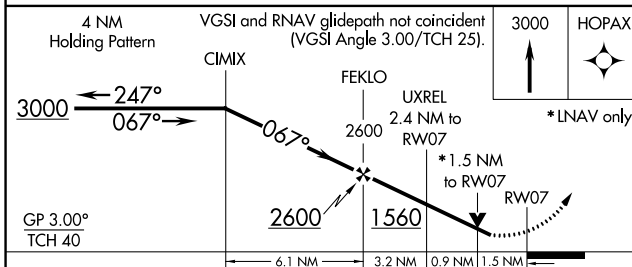
<p>For uncompensated Baro-VNAV systems, LNAV/VNAV NA below -1.6°C (4°F) or above 54°C (130°F). DME/DME RNP-0.3 NA. Rwy 7 helicopter visibility reduction below ¾ SM NA.</p>		<p>MISSED APPROACH: Climb to 3000 direct HOPAX and hold.</p>	
AWOS-3 128.325	HUNTINGTON APP CON 120.95 270.1	CLNC DEL 120.95	UNICOM 123.075 (CTAF) ①



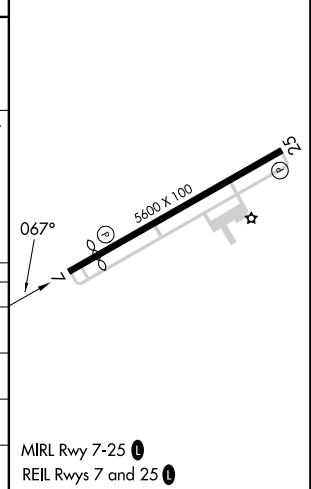
EC-2, 22 FEB 2024 to 21 MAR 2024

EC-2, 22 FEB 2024 to 21 MAR 2024

ELEV 766	TDZE 765
----------	----------



CATEGORY	A	B	C	D
LPV DA	1184-1½		419 (500-1½)	
LNAV/VNAV DA	1202-1½		437 (500-1½)	
LNAV MDA	1280-1	515 (600-1)	1280-1⅜	515 (600-1⅜)
CIRCLING	1380-1	614 (700-1)	1420-1¾ 654 (700-1¾)	1480-2¼ 714 (800-2¼)



MIREL Rwy 7-25 ①
REIL Rwys 7 and 25 ①